

ANNOUNCEMENTS The December meeting was originally scheduled to be held on December 2, the first Friday, but due to the fact that we have received an invitation to attend the annual "gabfest" of the Hilltop Club of Worcester on that date, we are postponing our meeting until Friday, December 9, 1949. Those planning to journey to Worcester will find the Hilltop gang at the Worcester YMCA, that's on south Main St., Route 9, and will be welcome from 6:30 p.m. 'till goodnight. At 6:30, the FCC will be on hand with all the necessary equipment to give license examinations, and at 8:00 p.m. the festivities will begin.

For our own meeting at the Hampden County Improvement League building, 7:30 p.m. on Dec. 9th, we are pleased to announce that we will have as our speaker Lewis "Mac" McCoy, Asst. Comm. Mgr. - Phone, from ARRL Hq. who will "give" on phone activities, nets, emergency phone organization and all other subjects dear to the hearts of the push-to-talk brethren. He will also show the TVI film prepared by WIDEM, which you all have read about in recent issues of QST. John Cann, ACW-CW, will also be on hand, and will be delighted to talk over any of the problems that concern his department such as why Feeding Hills doesn't count as a separate country for the DXCC or the best way to route a message from Springfield to Inner Mongolia. Murray Dressler of Hatry & Young will play Santa Claus and bring the door prize.

LAST MEETING The annual business meeting of the HCRC resulted in the election of the following - Pres: Roger Corey, 1JYH, V. Pres: Art Zavarella, 1MNG, Sec: Ken Gurney, 1SIT, Treas: Bob Adolphson, 1NLE, Exec. Board: Bill Blankenship, 1RDR, Les Horner, 1GZL, Bill Ham, 1RRX, and Dick Stevens, 1QWJ. A photograph album was donated to the club by Hank Baier, 1NY, and Bill Blankenship, was appointed official photographer for the club. Several suggestions were made by the membership for future programs and have been referred to the new program committee. Perce Noble, 1BVR, reviewed the recent Board meeting in Washington and gave us some very pertinent facts on the proposed twenty meter phone allotments which were recommended to take effect if and when the 15 meter band becomes available. Bert Binns and Bill Blankenship both made suggestions in connection with the ill-mannered practice of talking while some-one else has the floor. Any wood-working member who would like to act on Bert's suggestion to turn out a gavel may be assured that his efforts will be sincerely appreciated.

REMINDER Zero Beat is particularly proud to have on its personnel roster five Associate Editors. For those of you who would like to contribute to the various departments, we are listing them below:

TRAFFIC - Russ Hobbie, 1RHU, 82 Mapledell St., Spfld. Tel. 3-6324
 DX - Bob Lieson, 1KFV, 17 Litchfield St., Spfld. Tel. 7-5498
 TECH TIPS - Dick Stevens, 1QWJ, 151 Canterbury Rd., Spfld. Tel. 2-1735
 CONTESTS - Vic Paounoff, 1EOB, 26 Denton Circle, Spfld. Tel. 2-9417
 TRADING POST - Art Zavarella, 1MNG, 1702 Main St., Agawam, Tel. 6-9132

Give 'em a hand and it will make for a bigger and better paper.

AESOP'S FABLE Among the members of a certain Country Club there were two groups of enthusiastic golfers. However, the members of one group spent all of their spare time practicing on the putting green, while the other group preferred to improve their driving and approach shots. In the evenings, they gathered in the club-house and discussed their hobby. All went well for several years until one night the putting group decided that theirs was the more exact science and that they should be allowed to use the beautiful 18 hole course 60% of the available time and allow the approach artists 40%. This, of course, precipitated an argument of major proportions and many beards were muttered in on the way home that night. For the

next several months more and more time was spent arguing about which was the more important phase of the game and less and less time was spent enjoying the game. Finally, the driving group challenged the putters to a pitched battle on the fairway of the 9th hole. The choice of weapons lay with the challenged group (they chose no. 3 irons) and at 10 a.m. one fine Saturday morning the two groups fell on each other with all the fury they could muster. By 5 p.m. only three men were left on each side, no one had won, and their splendid 18 hole course had been completely demolished.

Moral: Criticize ye not your neighbor's mode of emission, for the noise of the ensuing battle will be so great that ye government regulatory body may not realize that it is only a childish Phone vs. CW argument and you will wind up behind ye Eight Ball.

LOCAL STUFF We have several contributions this month but none of them are of an autobiographical nature. Consequently, we can assume no responsibility for the accuracy of what one member tells us about another. One thing we did hear directly, though, was the great scream of anguish that Carl Dewey, 1RZG, let out when both of his key-click filter chokes blew up during the SS. Clarence Bordeaux, 1LJT, got a new tube for his final just in time for the contest. Like all the rest of us, he was disappointed with the conditions on the lower frequencies, but with true Vive la SS spirit he has vowed to do better next week. Remember the Gold Plated Special in CQ a few months back? Well, Russ Hobbie, 1RHU, has all the parts and will soon have his version - The Brass Plated Special - on the air. On a recent trip to Boston, Dick Stevens, 1QWJ, picked up a gross of female 3C24's and is spending his evenings reading Balzac's Droll Stories so he can make their plates blush without applying the plate voltage. W1NY, the Tom Swift of Wilbraham, has completed his packaged 6 meter rig; a complete transmitter including power supply on a 5" x 7" x 2" chassis. It works too - if you don't believe it, get on six meters and work him. Art Zavarella, 1WNG, spends all of his time at home untangling his 20 - 10 - 6 and TV beams so he has to build his new TVI traps on company time. We'll have to get Ike Creaser to see Art about Art's interference with Art's TV set. Speaking of TVI, 1JYH had a few calls during the sweepstakes and is now trying to kid himself into believing that it is only in his temporary SS rig and that he won't have any trouble when he goes back to the regular final. Ha! W1PHU reports his "cascode" preamp for 10 meters has opened up high end of ten for him. It basically is per QST March 1949 and small amp to get in 2 1/2" square aluminium shield can. He hooks plate of his 6J6 to the antenna input on his VnF152. Those interested might note that for ten meters, following changes are in order L1 is 13T 18 on 1/2" form; C1 is 50 mfd adget variable.

NOTICE Acting on the motion of Perce Noble, 1BVR, the executive committee submits the following amendment to the Constitution. The December meeting is hereby designated as a special meeting and the amendment will be voted upon immediately prior to the regular program.

It is proposed that Article 3 of the constitution be amended to include the sentence: The executive committee shall be composed of four officers and eight elected members plus the retiring president who shall serve on the board for the year immediately following his term of office.

TRAFFIC The pleas of the past two issues seem to have gone unheeded, at least on by W1RHU the CW nets. On the 3.725 mc net, we need coverage for some of the other cities in W. Mass. At present we have reliable coverage for Springfield, Wilbraham, Westfield, Worthington, usually Pittsfield, and sometimes Adams. If you can't keep the schedules every night, get on when you can. Where are some of you guys in Holyoke, Northampton, Chicopee and surrounding towns?

If you have a rig, but no code speed, and still don't believe we will QRS, get on and try it sometime. We don't QRS now because there is no one on the net that needs a QRS. If you haven't any rig on 80 CW, arrange a schedule on some other

band once or twice weekly with a regular member of the net. How about some more activity on the 2200 WmW, especially Friday nights? It is Friday that we need to clean our hooks as much as possible, to prepare for the weekend. And it is the late session that needs members, because we get the traffic from LRN and EAN for distribution between the 1900 and 2200 sessions. How can NTS work at top efficiency when there isn't sufficient coverage on the section level to back it up? Mailing a radiogram isn't too efficient. We also need more traffic originated to increase activity. Ideal would be for everyone to originate 5 messages a week. If you can't hit this, try for as many as possible. If you can't get on 80, put them on the 10 meter net Thursday night.

No one has contributed to this column. If no one does, we may have the same diatribes. How about someone giving me news of the 10, 6, 2 and 1 $\frac{1}{4}$ meter nets? If you don't like what I say, send me something so I can shut up! (Or if you do like it, please tell me, so I will have enough spirit left to write this column.) The address is 82 Mapledell Street, Springfield, 9, Mass.

Starting next month, if nothing else comes up, I am considering starting a series of operating instructions for traffic work. How many of you know proper message form, checking, (and did you know that both the 1948 and 1949 editions of the Handbook had mistakes on this?) How many would like a leaflet on operating procedure, fills, check, routing, and the like, similar to that put out by Washington State Net News? If you would, let me know, and if there is enough interest shown, it may be possible to arrange publication of such a leaflet.

Until next time, 73, and please write, phone (3-6324), or talk to me in person about the column.

COMMITTEES At the first meeting of the new executive committee, Bill Ham, 1RRX, was appointed chairman of the newly created Program Committee for the coming year. From time to time during the year, Bill will probably call on most of us for help and suggestions. His job is probably the largest of any, since he has at least eight programs to arrange for including the usual refreshments. Needless to say, he will appreciate fullest cooperation from us all. We also have appointed, for the first time, a Membership Committee chairman, namely, Dave Lloyd, 1PHU. Dave and his committee will not only round up new members, but will also see that guests, visitors and new members are properly introduced and made welcome at the meetings.

DX Congratulations to 1CJK and 1PDF who both have newly-acquired Phone by W1KFV DXCC's. 1PDF, we believe, was the first man in Western Mass. to get the phone award. (Ed. note: 1KFV is close on their heels and needs only 81 cards for his phone DXCC). The winners for last year's CQ DX contest repeated again this year - 1JYH on cw and 1CJK on phone. In the phone section, 1PDF took second with 1RDR third and on cw, 1PDF also placed second and 1EOB was third. 1IJT took over the key at 1PDF during the contest. New countries and new QSL's are keeping the DX gang happy and leading the pack is 1JYH who added VQ1, FN8, SP5 and VS9 for 210 worked and a card from VP5BD in the Caymans gave him 183 confirmed. (1KFV modestly refrains from admitting that he just worked VP3AO in the So. Shetland Is. for 171 worked and 149 confirmed). Top phone man, 1PDF, added CR5, CR6 and HR in the phone contest and VS2, VS6, FE8, CT3, PK3, 4X4 and TF in the cw portion to bring his total to 133 - 103 cards on phone and 110 for phone and cw. The CQ contest kept 1EOB happy with FE8AB and MD4GC bringing his total to 107. Not bad when you remember that over 50 of those were worked during the last four months. 1RDR is up to 76 worked on 10 meter phone only but Bill has slowed down lately because of trouble with his beam rotator. With postwar DXCC's for 1APA, 1AVK, 1EOB and 1RDR just around the corner, the club will have 9 CC members. 1CJK has been busy on ten meter phone of late and has come up with some very fine stuff including OH 2SE, FF8FP, EK1AD, FQ8SN, MF2AA, SVØWI, and numerous ZS and Europeans. Mal has also been hearing a raft of Russians and Africans as well as a few of the JA boys mentioned later in this column. Nice work, we call it, and it's good to have another DX man come through with some good stuff. We hear from the ten meter phone stalwarts that

between 29 - 29.7 mc, the KG's, JA's and various Pacific islands are coming through from 5 to 8 p.m. Contest expert 1CJK, not content with leading the DX pack, turned up with 151 contacts during the first half of the SS - that's all on phone and gives Bill an almost certain first place if he keeps it up during the second half. Thanks for all the dope, fellows, please keep it coming and before the 20th of the month, if possible. 73 and DX to yo'-all, LKFV.

TRADING POST Most of us have lots of spare ham gear so let's shift into high and by WLMNG make this column pay off by locating some hard-to-get item or disposing of some unused parts. One good deal might well cover your HCRC dues or at least your doughnut donations for the coming year. We have had "want-ads" in Zero Beat from time to time and some of them paid off so well that we thought it would be worthwhile to organize them into a regular column, so jot down your wants and/or spare parts on a penny post card and send 'em along. The address (and Tel. No.) is listed elsewhere in this issue. By the way, Dick Stevens, in response to his ad in Zero Beat, got his 100TH all the way from W2JQJ in N. J.

SURPLUS (surplus to LBH, that is) National 100 ASD rx. with speaker. Will swap for hot car radio or cabbage. - LBH via LMNG

WANT Input and output modulation transformers for a pair of 807's - LMNG

SELL OR SWAP, all or any, 810 & socket, 813 with fil. transformer, complete 813 final for 80, 40, 20 with bandswitching grid, and, if the price is right, my whole station - after a rough SS weekend am considering stamp collecting. LJYH

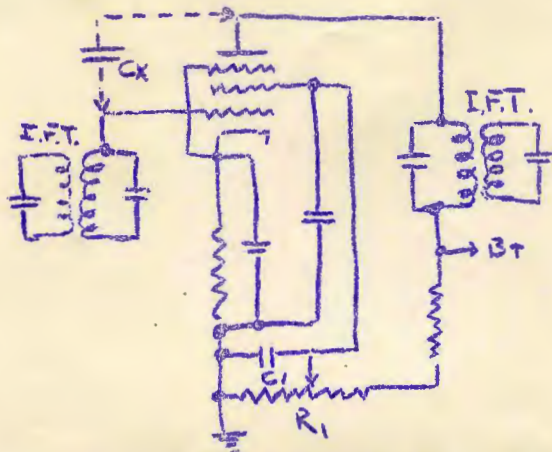
CONTESTS The CQ DX contest was pretty well covered by LKFV in his DX column. Bob mentioned the first three in each category, but the HCRC was well represented on all bands by at least a dozen participants - nice going, gang. It is too early yet to tell what the outcome of the SS will be but on CW, LEOB and LJYH are running neck and neck as are LRZG and LRHU. 1LJT is in there pitching along with LBVR and a few others. On phone, 1CJK has a good start with 1RDR, 1RRW, 1RRX, 1NY, 1NLE and others giving him plenty of competition. In the next issue our new contest editor, LEOB, will take over and give you the results. Some of the cw scores may be lower than expected because of the extremely poor conditions on the low frequencies during the first weekend. Apparently, the W2 and W3 boys in the heavily populated areas did not suffer as much as some of the W1's because some of them were heard sending nos. in the 500's and even a couple in the 600's late Sunday evening. LJYH and LEOB are willing to chip in and finance any Private Eye who can find out what the secret is that 2IOP, 4KFC and 3BES seem to have.

EVERYONE PLEASE BRING YOUR SWEEPSTAKES SCORES TO THE MEETING DEC. 9 AND GIVE THEM TO VIC PAUNOFF, WLEOB, OR IF YOU CAN'T ATTEND THE MEETING, SEE THAT VIC GETS YOUR SCORE AS SOON AS POSSIBLE. Here is what we want: Number of different stations worked, number of different sections worked, final score. The final score is computed by multiplying your points (at 2 points per contact) by your number of sections. If you used 100 watts or less, multiply your score by 1.25. For example: If you worked 100 stations in 50 sections and used 100 watts input, your score would be as follows. $100 \times 2 = 200$ points. $200 \times 50 = 10,000$. $10,000 \times 1.25 = 12,500$ Final Score. Also, remember that the highest scorer on phone and on cw (within the club) will get a certificate from ARRL. If you happen to win one of them, don't get impatient if you don't get it in a few months. They have quite a few to fill out and you will get yours in about a year! The same goes for the medallion awarded for the section winner.

FINIS Many thanks to those who contributed to this issue. It made the task a lot easier, but we still would like to hear from some of the rest of the gang. Just drop a postcard to LJYH, 100 Oakland St., Springfield 8, Mass. sometime before the 20th of the month and let us know what you and your neighbors are doing - or what you would like to see done - or any comments you may have on the various departments. See you Dec. 9th.

73,

LJYH



TYPICAL I.F. STAGE

- C₁ - 0.1mf PAPER, 400V
- R₁ - 250,000 ω POT.
- C_X - FEEDBACK CAPACITY (SEE TEXT)

This month we had planned to discuss band-pass filters for TVI reduction, but the "G.E. Ham News" for December 1949 beat us to the draw. We suggest that all who experience TVI get a copy of "Ham News" and go to work. The filters described therein are much better than the general run of low pass filters on the market today. Since we were scooped on our original plans, here is a trick that we tried on 1JYH's BC342N which proved to be quite a help to the overall selectivity. It can be applied to any type of receiver and we hope that you may find it useful.

The idea of controlled regeneration in the I.F. strip of a receiver is not new but since it is given little attention in the handbooks, and since it will sharpen the selectivity curve of the receiver to a surprising degree, and give an increase in gain to boot, we thought it well worth a review.

The above circuit is almost self-explanatory with the exception of the feed-back capacity, C_x. This condenser consists of two pieces of push-back type hook-up wire twisted together. The most practical way to get the correct capacity is to twist about eight turns and then, with wire-cutters, cut off small amounts until, with the regeneration control (R₁) full on, the I.F. stage will oscillate and will stop when the control is backed off. On the BC-342, a twist of two turns was found to be sufficient. The greatest selectivity and gain will be obtained with the regeneration control set just below the point of oscillation.

V.H.F. * U.H. F. Either there has been a great lack of activity on the high frequencies or no one has told us these things. Don't forget that \$20 in prizes will be given after December 31, 1949, Five bucks will go to the lucky HCRC member who holds the highest record in each of the following categories: 1. The greatest distance worked on 420 mc. 2. The greatest distance worked on 1 $\frac{1}{2}$ meters. 3. The greatest nr. of states worked on 2 meters. 4. The greatest nr. of states worked on 6 meters. We understand that 1NH/ Mt. Greylock and 1CCH of Springfield have QSO'd on 420 mc. but since neither is a member of the HCRC, the prize is still available.

The 6 meter net is off to a good start but could use more stations in the Springfield area (and all areas) so tune up on six and call in Wednesday at 8:00 p.m. Hank Baier, 1NY, puts in an S7 at 1QWJ with only a few watts to a 6AQ5. Could you do that on ten? Pete Pedersen, 1RWV, is having fun with his 2 meter converter but would like to hear from someone who is an expert on cathode followers.

NOTE We hear from Ken Gurney, 1SIT, the Timing Devices Co. of Springfield will be pleased to receive any suggestions from Hams not only in regard to their new clock, but on any subject pertaining to time controls or devices. If you have an idea along these lines, get hold of Ken and he will pass the dope along.