

April Meeting

The April Hampden County Radio Association meeting will feature a talk on the latest offerings from Motorola, including mobile repeaters. Gerry York from Motorola will be our guest speaker. The meeting will start at 8PM Friday, April 3, 1987, at the Feeding Hills Congratonal Church, in the center of Feeding Hills, MA.

URGENT

The FCC issued a Notice of Proposed Rulemaking (NPRM) to lop off the bottom two megahertz of the 220 band exclusively for the land mobile service! One wonders why such a proposal would be made only after the allocation of 220 for new Novice privileges!

The FCC issued the NPRM, numbered General Docket 87-14, in response to three petitions filed by land mobile service users. The FCC stated that the 220 MHz band was "underutilized" in comparison with the two meter band.

Even if you have never utilized this spectrum, and never intend to, it is **VERY IMPORTANT** that you let the FCC know that reallocation of valued (yes, there are lots of 220 users out there) Amateur frequencies will not occur without a fight.

Please take a minute to put your thoughts down on the enclosed page. It is ready to mail to the FCC. If you have access to a copy machine, make **FIVE ADDITIONAL** copies, and send them all to the address on the form.

In your own words please indicate why you do not support the FCC's action. Even if you only write two sentences the fact that you sent comments will make a difference. Contacting Congressmen and Representatives will also help!.....

Your comments are due to the FCC by April 6, 1987 (although this is expected to be extended). Please invest 22¢ and a few minutes today... tomorrow it may be your favorite band!

For Sale

For Sale: Ten Tec Argosy 525. Included in it is a CW filter 224, Calibrator 226, Power Supply 225, Microphone 215, 12 volt supply cord 1125, and manuals. Asking \$350 complete. Contact Jack WA1YYK at 413.786.2556.

For Sale: Yaesu transceiver model FT102. All WARC bands. Three tube finals. Manual. Also matching antenna tuner: Yaesu model FC102 & manual. Sold only as a package. Total price \$700.00. Call Ned NB1R at 413.596.4625 evenings.

For Sale: Shortwave receiver FRG-7 Yaesu. Includes McDymek power antenna and tuner with manuals. Asking \$175. Call Jack WA1YYK at 413.786.2556.

Exam Results

On Saturday March 14, the HCRA sponsored a ARRL/VEC exam session at Minnechaug Regional High School in Wilbraham, MA. Five candidates were tested and all five passed element three. George Bach KA1PAJ, Paul Cappa KA1OWZ, and Pauline Dunlap KA1PAY upgraded to Technician. Leo Hamilton KA1PIW upgraded to General. David Berfagnolli, who was unlicensed, passed the 20 WPM code and elements 2 & 3 resulting in achieving General with a code credit. Eleven VE's participated including KB1AZ, K1GTE, WA1EYF, KA1KPH, K1BXE, WB1FIQ, N1AEH, NB1R, WA1YYK, KA1KRJ, and KA1MEW. Congrats to all!



"Quick As A Wink"
Printing & Sales Co

573 Union Street
West Springfield, MA 01089
(413) 736-8184

ARRL Awards

The HCRA provides local verification of your WAS and VUCC QSL's. Doc Webb, W1HOD, is our ARRL awards coordinator, and will be glad to hear from you. You can write him at 4 Bullard Ave, Holyoke, MA 01040.

Contests

1987

Mar	28-29	CQ WW WPX SSB
Apr	13	144 MHz sprint
	21	220 MHz sprint
	29	432 MHz sprint
May	2-3	County Hunters SSB
	8	902 MHz sprint
	14	1296 MHz sprint
	23-24	50 MHz sprint
	30-31	CQ WW WPX CW
Jun	13-15	June VHF contest
	27-28	Field Day
Jul	11-12	IARU HF contest
	18-19	CQ WW WPX VHF
Aug	1-2	UHF contest
Sep	12-14	September VHF contest
Nov	7-9	Sweepstakes CW
	21-23	Sweepstakes SSB
Dec	4-6	160m contest
	12-13	10m contest

Please consult CQ or QST for more information on the above listed contests and events.

Slow Net

The Western Mass Slow Net (WMSN) meets Monday thru Friday at 8:30 PM local time on 3.725 mhz. This is a slow speed traffic net where Novices (and others, too) can learn net operations. They are in need of checkins, so if you have a chance, tune up and give them a call. Joy KA1EXJ from Hadley MA is net control.

Please support the HCRA

6m & Up

Illegal cordless telephones: The FCC has ordered a California retailer to stop selling high-powered cordless telephones that lack FCC certification and has fined the company and the phones' manufacturer \$2,000 each. The Super Call 7700 cordless telephone has a range of about 60 kilometers, in contrast with a range of 200 meters for most approved cordless phones. The Super Call base transmitter uses ten radio channels in the range 46.610 to 46.970 MHz, while the handset uses the 66.000 to 72.000 MHz range. The base unit runs 15 watts and the handset runs 5 watts!

Ham bytes robot: During the Christmas shopping season, the police responded to the burglar alarm at the Radio Shack store in South Dennis, MA. Upon entering the store, they found a robot busily moving about inside the store. It seems that the Radio Shack robot's receiver is on 49 MHz, and it was being activated by the transmissions of the near-by W2CAP/1 six meter beacon! Do you suppose that the robot can copy CW? The store employees were more careful to turn off the robot when leaving the store for the night after that!

432 MHz Activity Promotion: Art Holms, WA2TIF, writes: "I think that 432 can become an every night band with a little push. I hope these awards that I am sponsoring will do the trick. Please publish in your newsletter and elicit support from the members. Once 432 reaches the status of 144 MHz, it will be much easier to get activity on the higher bands. I am rounding up "seed" stations to help get it going. At the moment I have K8ZES/2, VE2DFO, WA2TIF, K1DPP, W2CRS, KB3IB, and N3ADC. I could use some more help in New England!"

432 Activity awards. The purpose is to promote 432 MHz activity each night. The ground rules are: 432 MHz SSB or CW QSO's only; start 01-Dec-1986; contest QSO's do not count; net QSO's do not count; QSY off the calling frequency of 432.100 MHz; send copy of your log for verification (include date, call, and grid square). The QSO award

will be issued for 50 QSO's per month; separate award for each month. The Station award is given for working 100 different stations (no time limit); update for multiples of 100 stations. The QSO X Grid award is issued for the number of QSO's times the number of unique grid squares worked each month, minimum of 1,000 points (i.e. 50 QSO's X 20 grids). The sponsor and mailing address appear below. Send log data and a business size SASE for awards.

In the past couple of months the activity seems to start about 7:30 or 8:00 PM local and ends somewhere about 10:00 to 10:30 PM local. There has been quite a bit of activity each night. Look to the northeast especially! Bernie, VE1UT, in FN63 is on at 9:00 PM local every night, and will be looking for you!

The sponsor of the awards is:
Art Holmes WA2TIF
11 Kerr Road
Rhinebeck NY 12572

Preamp

Tower Mounted Preamp Control
by Fred Stefanik N1DPM

In an effort over the past four to five years to perfect my tower mounted GaAs Fet preamps, I've arrived safely at this system. First, this only applies to those of us running transverters or that are capable of utilizing the "two feedline system." Also the unit has self-contained power supplies, and is capable of handling up to six bands worth of preamps! All the parts for this unit are available at your local Radio Shack store at a minimal cost, in comparison to a couple or even one blown preamp. The coax relays used should be high quality with enough isolation so that the preamp doesn't get damaged. Proper minimum isolation is shown in the table below. Two relays could be put back to back for increased isolation, with the coils wired in series or parallel.

A new net has been formed on the 10 meter band. Check in on Sunday evenings at 7 PM local time. The frequency is 28.400 MHz upper side band (USB). Rusty KB1XD is the net manager. Novices & Techs are welcome!

Transmitter Output Power	Minimum Safe Isolation
1.0 watt	30.0 dB
10.0 watts	40.0 dB
50.0 watts	47.0 dB
100.0 watts	50.0 dB
200.0 watts	53.0 dB
500.0 watts	57.0 dB
1000.0 watts	60.0 dB
2000.0 watts	63.0 dB

To insure trouble free operation the coax relay coils should have diodes installed across them to prevent turn-off transients. This unit, along with controlling the tower preamps and T-R relays, also provides sequentially switched outputs for the R-L make on your transverter, intermediate amplifier and your high power amplifier, with a standby or operate switch or switches for the amplifiers.

I have successfully used this system on three bands: 144, 220 and 432 MHz for about one year. Semi-breakin CW operation is safe because of the proper sequencing, even at 1.5 KW! Good luck with the new tower preamp and see you on the bands! 73 de Fred N1DPM

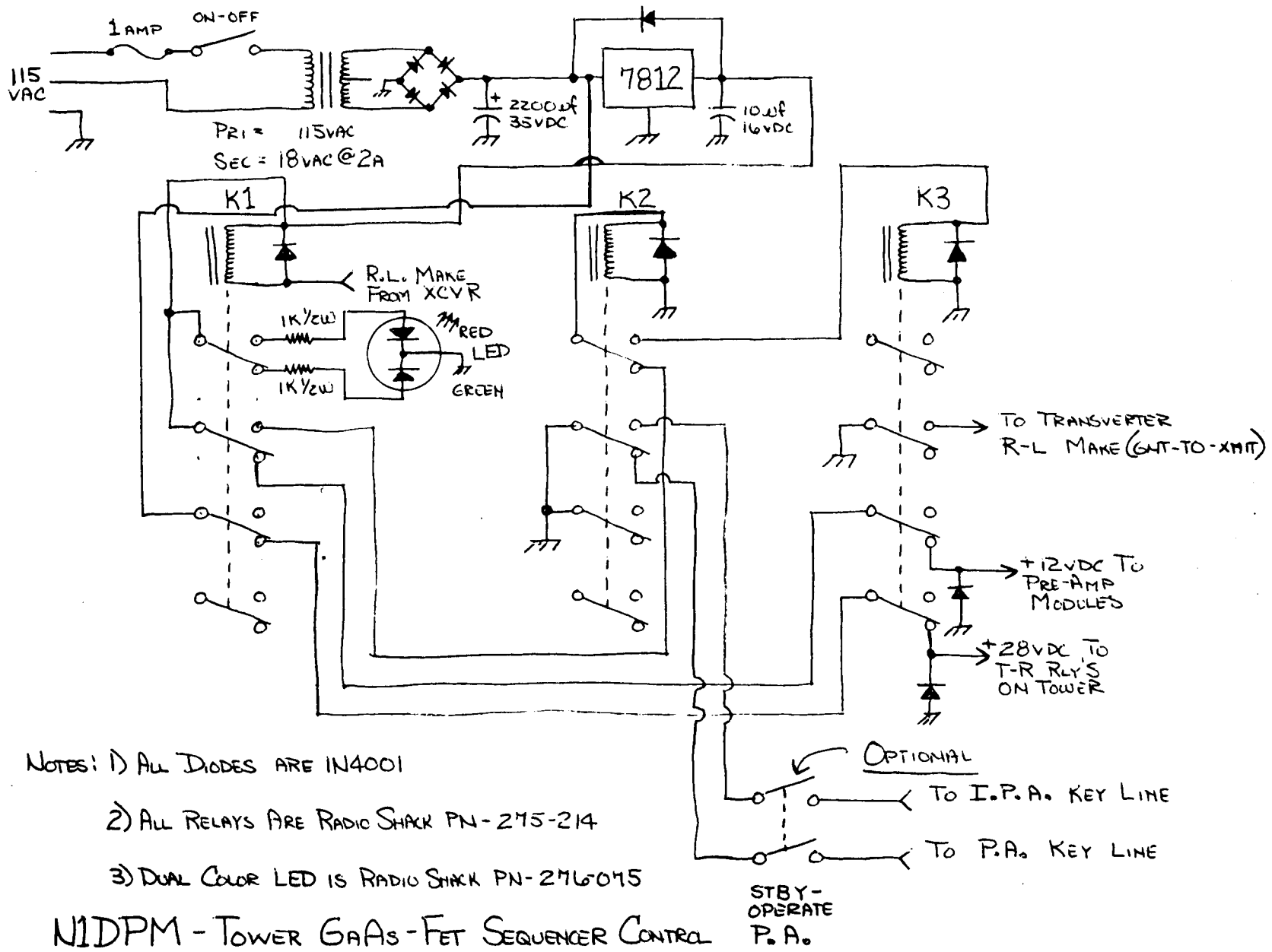
The HCRA sponsors ARRL/VEC exams on Saturdays at the High School, Main Street, Wilbraham, MA. Registration is at 8:30 AM, and exams start at 9:00 AM. The dates scheduled so far are 13-Jun-87, 12-Sep-87, and 12-Dec-87. For more information please contact Yorke Phillips K1BXE.

Thanks

ZERO BEAT is the newsletter of the Hampden County Radio Association, Inc., and is published monthly from September thru June.

Contents of *ZERO BEAT* may be reprinted provided *ZERO BEAT* and the author are duly credited. Please note that some articles appearing in *ZERO BEAT* may be copyrighted; consult the author for reprint permission.

The HCRA would like to thank the following contributing editors and sources, who have brought you this month's issue: The *ARRL Letter*, *CQ*, *KB1XD*, *W1GXT*, *K1BXE*, *N1DPM*, *Northeast VHF News*



- NOTES: 1) ALL DIODES ARE IN4001
 2) ALL RELAYS ARE RADIO SHACK PN-275-214
 3) DUAL COLOR LED IS RADIO SHACK PN-276-015

NIDPM - TOWER GAs-FET SEQUENCER CONTROL

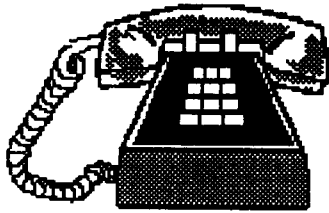
STBY-
OPERATE
P.A.

They've been there since 1913, and many a ham has attended their examinations. The FCC Field Office is vacating its premises at India and State Streets, and moving down to Quincy. The new office hours will be from 0800 to 1600. The office of the Boston Regional FCC Director is also moving to the new site. Their new address is:

Federal Communications Commission
 NFPA Building
 Batterymarch Park
 Quincy MA 02169

Main Office: 617.770.4023
 Recording: 617.770.3922
 Director: 617.770.4325

Need more information?



Please call...

Yorke Phillips K1BXE 566-3010
 Steve Nelson WA1EYF 596-8216
 Ray Burk WB1GLX 730-2774 days
 Ray Burk WB1GLX 596-6403 eves
 Ned Carpenter NB1R 596-4625

Or write directly to the club!

ARRL Handbooks

The HCRA still has a few 1987 ARRL Handbooks available for purchase. These are available at the club meetings, or by writing to the club mailing address.

We are selling these for only \$17.00, which is \$1.00 off the cover price.

If you have not had the chance to look through the new handbook check it out at the next meeting. Certainly something for everyone's shack!

There are also a few license manuals left from our fall classes for those who may be interested.

HCRA Meetings

First Friday of each month at
 Feeding Hills Congregational Church
 Center of Feeding Hills
 Intersection of routes 57 & 187
 Doors open at 7:30 PM
 Meeting starts promptly at 8:00 PM

All hams are welcome to attend!

**Next Meeting
 April 3, 1987**

*Gerry Yorke from
 Motorola*

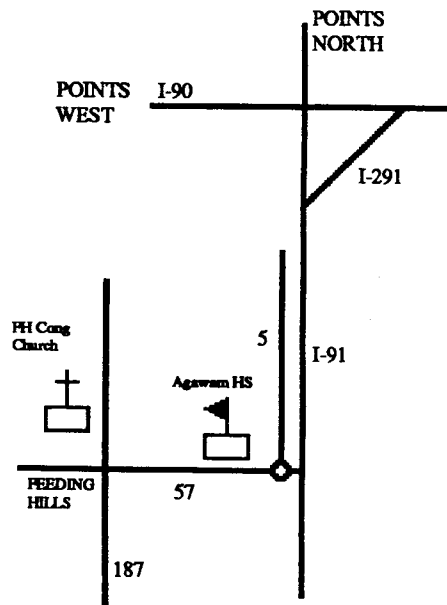
The Latest Products...

Future Meetings

03-Apr-87
 To be announced
 01-May-87
 Normal Friday meeting
 05-Jun-87
 Annual Meeting & Awards Banquet

HCRA Repeaters

KA1JJM/R 147.105 mhz
 KA1KPH/R 449.175 mhz
 W1NY-1 145.010 pkt
 W1HGJ/R 426.250 atv



Hampden County Radio Association, Inc.

P O Box 482
 West Springfield MA 01090-0482

Forwarding & Address
 Correction Requested

April 1987
 ZERO BEAT

Nonprofit Org.
 US Postage
 PAID
 Springfield MA
 Permit No. 1065

MAILED ON

MAR 23 1987

10/87 AC1T



General Docket 87-14

In the Matter of)	
Amendment of Part 2)	RM-4829
of the Commission's Rules)	RM-4831
Regarding the Allocation of)	RM-4983
the 216-225 MHz band.)	

Comments by:

Name: _____
Call: _____
Address: _____
City: _____
State/Zip: _____

I was first licensed in 19____, and currently hold a _____ class license. I am a member of the Hampden County (MA) Radio Association, and am active in many aspects of amateur radio.

I am against the FCC's Notice of Proposed Rule Making whereby the 220.0 to 222.0 MHz band, currently utilized on a secondary basis by the Amateur Service, will be reallocated on an exclusive basis to the Land Mobil Service. I offer the following additional comments:

Mail this form plus five additional copies (if possible) to:
Comments due by 06-Apr-1987

Federal Communications Commission
Washington, DC 20554