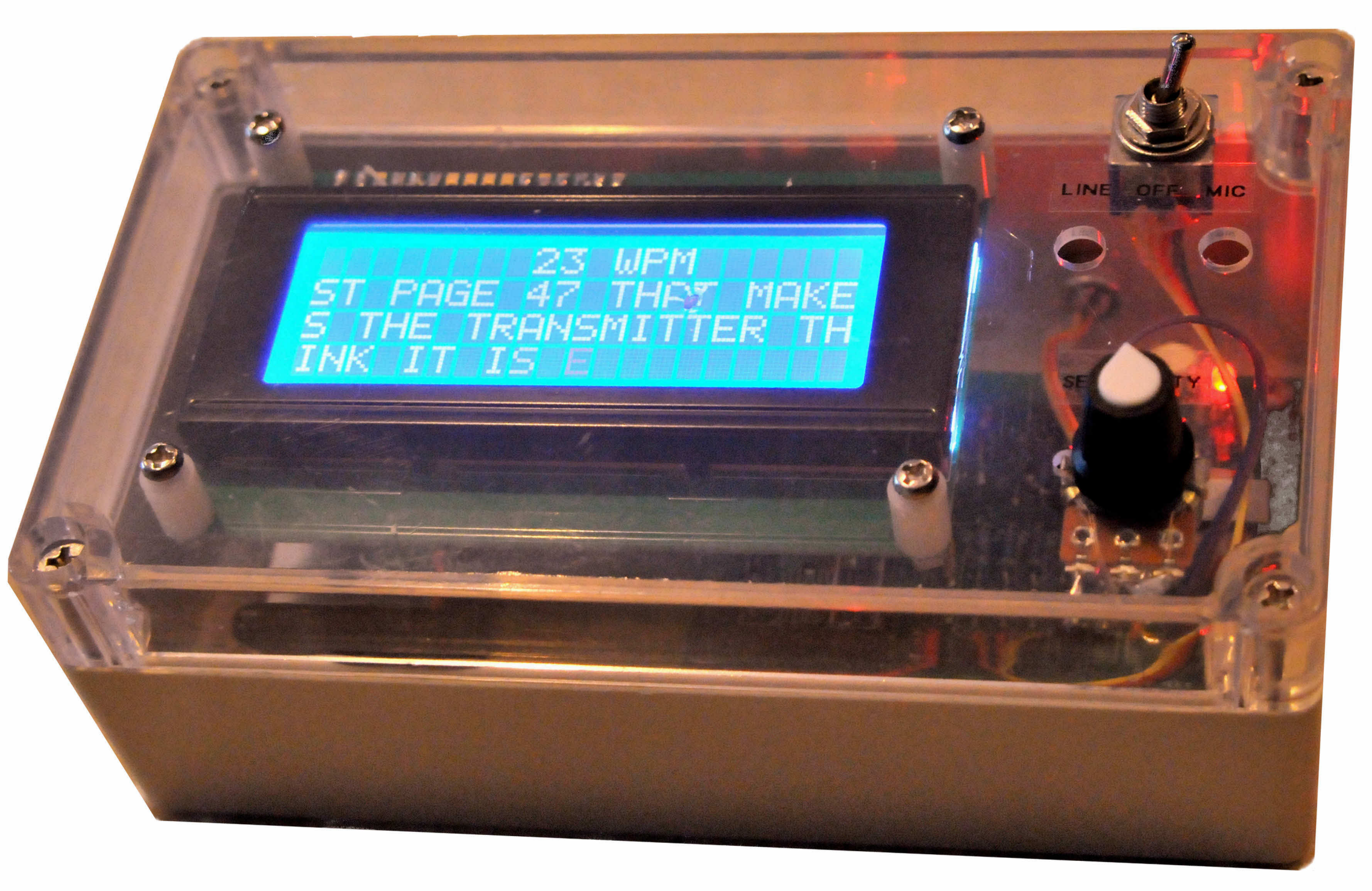


23 WPM
ST PAGE 47 THAT MAKE
S THE TRANSMITTER TH
INK IT IS E

LINE OFF MIC

SENSITIVITY



CW-DECODER

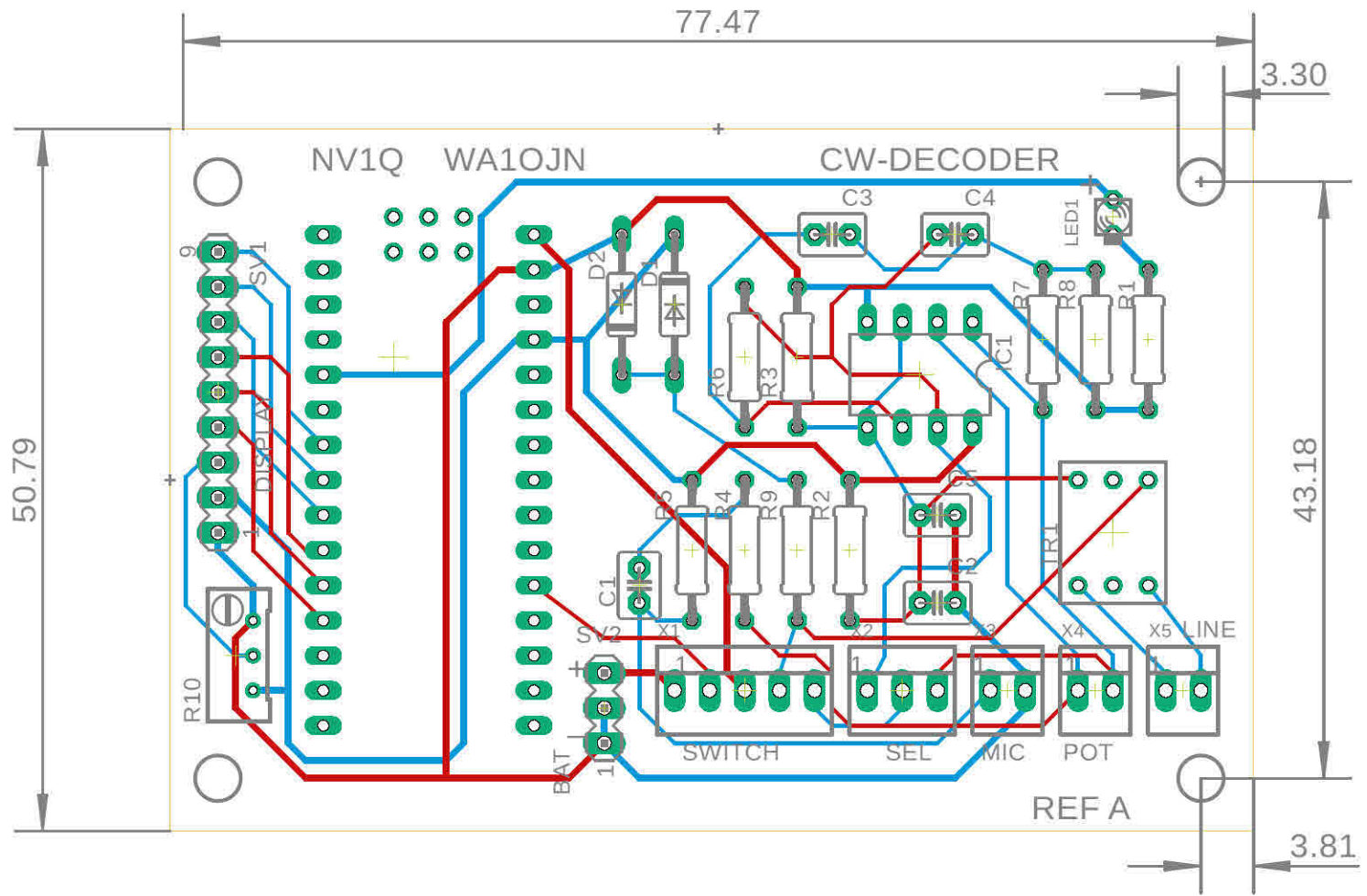
A 0JN

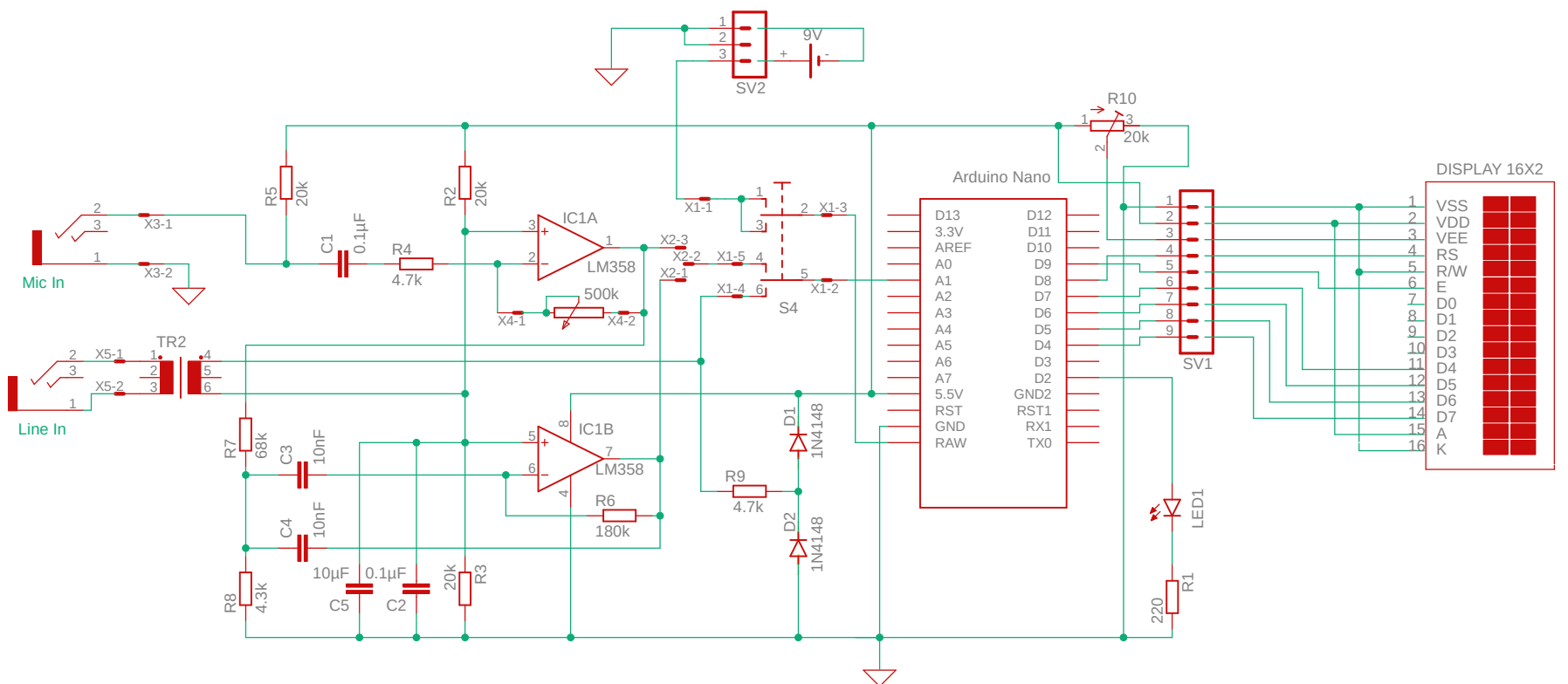
Blue PCB with components and labels:

- Labels: TX1 RX0 RST GND D2 D3 D4 D5 D6 D7 D8 D9 D10 D11 D12
- Labels: A1 A2 A3 A4 A5 A6 A7 A8 A9 A10 A11 A12
- Labels: DI33U3 REF A0
- Labels: NAND
- Labels: R1, R2, R3, R4, R5, R6, R7, R8, R9, R10, R11, R12
- Labels: C1, C2, C3, C4, C5
- Labels: D1, D2
- Labels: LED1
- Labels: BAT, +, -
- Labels: 134 T, 103 M
- Labels: 100K, 100K, 100K, 100K

Green PCB with components and labels:

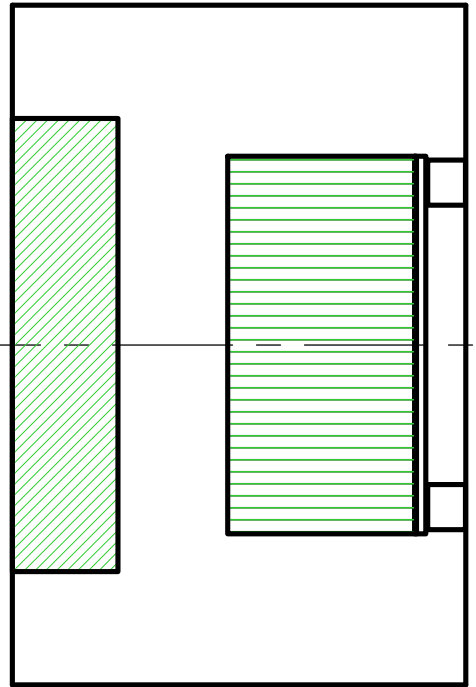
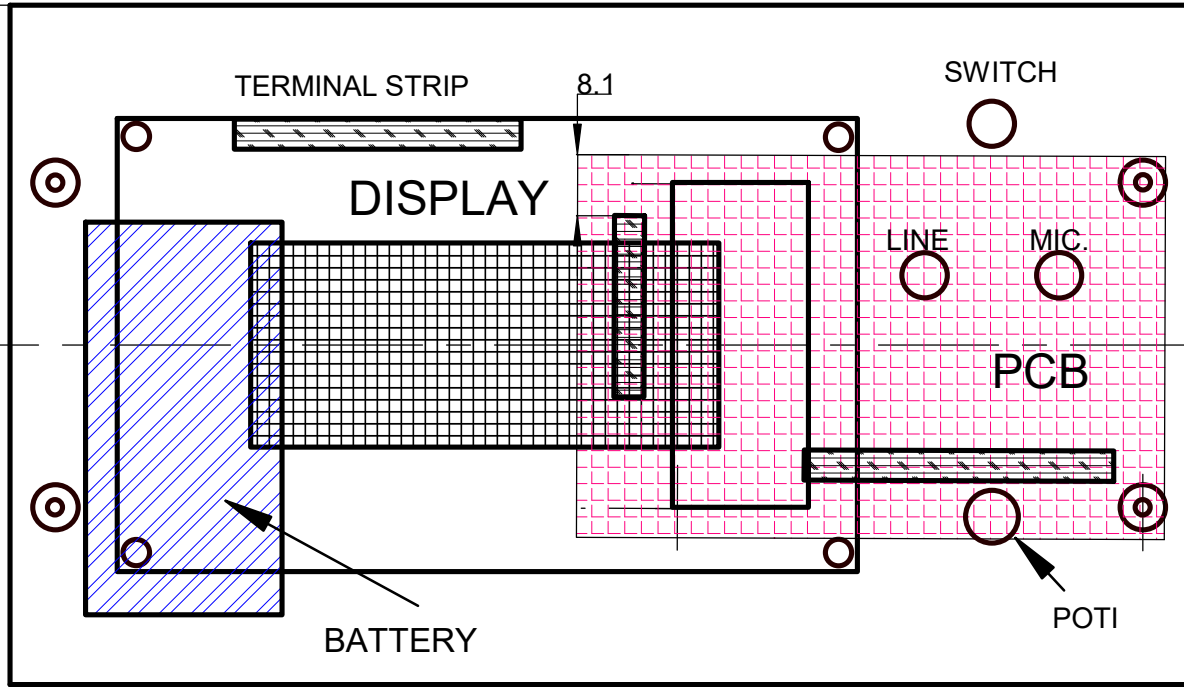
- Labels: SW1, SW2, SW3, SW4, SW5
- Labels: SW1, SW2, SW3, SW4, SW5
- Labels: SEL, MIC, POT, LINE
- Labels: REF A
- Labels: X1, X2, X3, X4
- Labels: R1, R2, R3, R4, R5, R6, R7, R8, R9
- Labels: C1, C2, C3, C4, C5
- Labels: D1, D2
- Labels: LED1
- Labels: ICI
- Labels: BAT, +, -



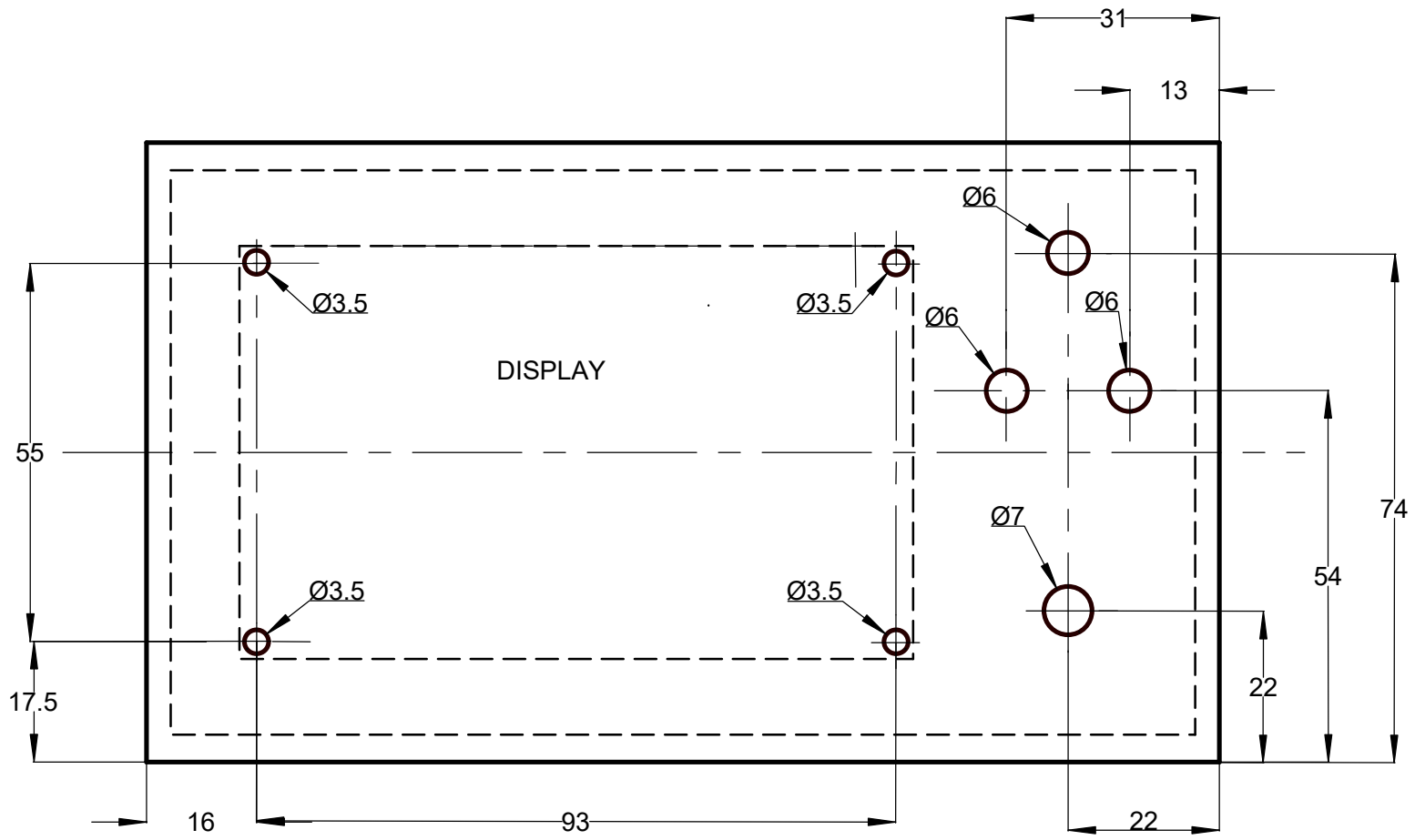


Jumper:
 X2-1 - X2-2 FILTER SELECTED
 X2-1 - X2-3 NO FILTER SELECTED

<h1>NV1Q WA10JN</h1>	
TITLE: CW-Decoder 16pin	
Document Number:	REV: 4
Date: 2020-12-12 17:33	Sheet: 1/1

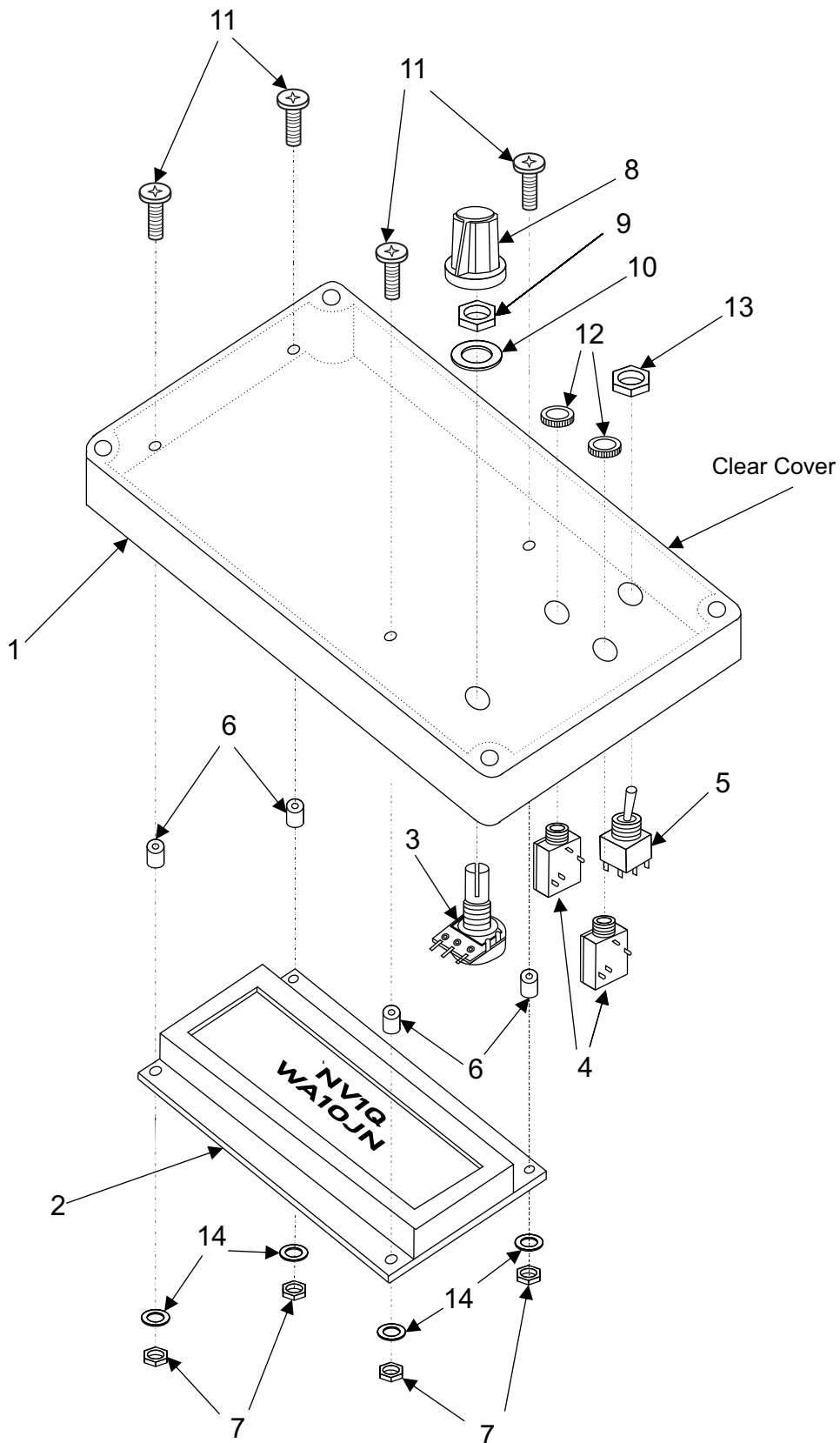


CW-Decoder			
TITLE		Box Layout	
SCALE	1:1	REV	2
DATE	2020-04-01	SHEET	1 of 1



Note: Print this drawing and use as template for drilling the cover.

CW-Decoder			
TITLE		Box - Cover	
SCALE	1:1	REV	2
DATE	2020-03-08	SHEET	1 of 1

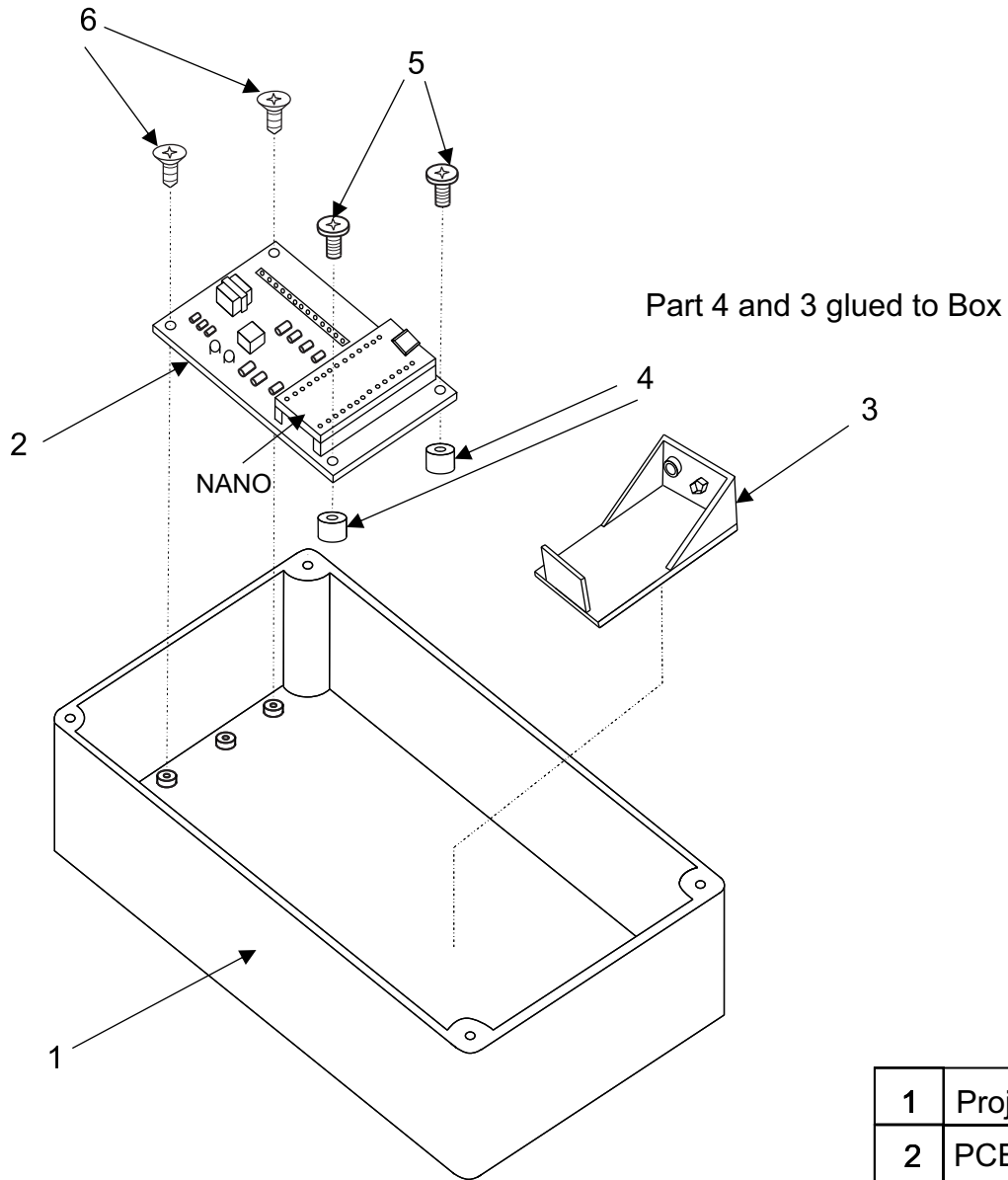


1	Project Box - Cover
2	Display
3	Potentiometer
4	Jack Female
5	Toggle Switch
6	Spacer 10 mm
7	Nut M3
8	Poti Knob
9	Poti Hex Nut
10	Poti Washer
11	Screw M3 x 18 mm
12	Knurled Nut
13	Switch Hex Nut
14	Washer 3mm

CW Decoder - Cover Assembly

NV1Q - WA10JN

200512-1



1	Project Box
2	PCB
3	Battery Case
4	Spacer 5 mm
5	Screw M3 x 5 mm
6	Screw 2.6 x 6 Self Tapping

CW Decoder - Box Assembly

NV1Q - WA1OJN

200512-1

CW Decoder	Pcs.	√	Notes
Box	1		
PCB	1		
Display	1		
Nano	1		
15 Pins Nano	2		
LM358	1		
IC Socket	1		
Audio Trafo	1		
LED	1		
Trimmer 10k	1		
Dupont cable 10cm, cut	11		
Dupont cable 10cm	9		
Diode	2		
<u>Resistors</u>			
180k Ω	1		
68k Ω	1		
20k Ω	3		
4.7k Ω	2		
4.3k Ω	1		
220 Ω	1		
<u>Capacitors</u>			
10uF	1		
100nF	2		
10nF	2		
Switch	1		
Poti	1		
Jack female	2		
Pins	26		
Battery holder	1		
S.T. Screw M2.6x6mm	2		
Screw M3x5mm	2		
Screw M3x18	4		
Nut M3	4		
Lock Washer	4		
Spacer 10mm	4		
Spacer 5mm	2		
Mic. With cable	1		